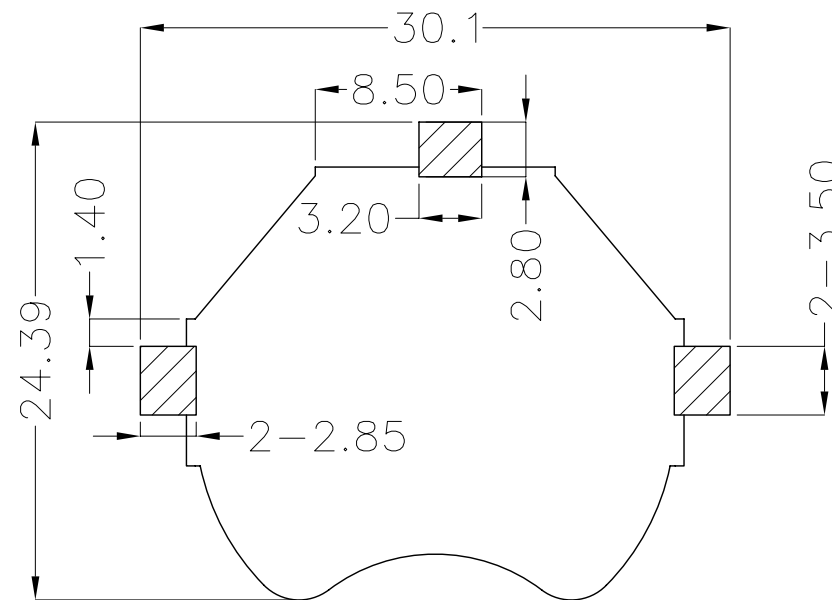
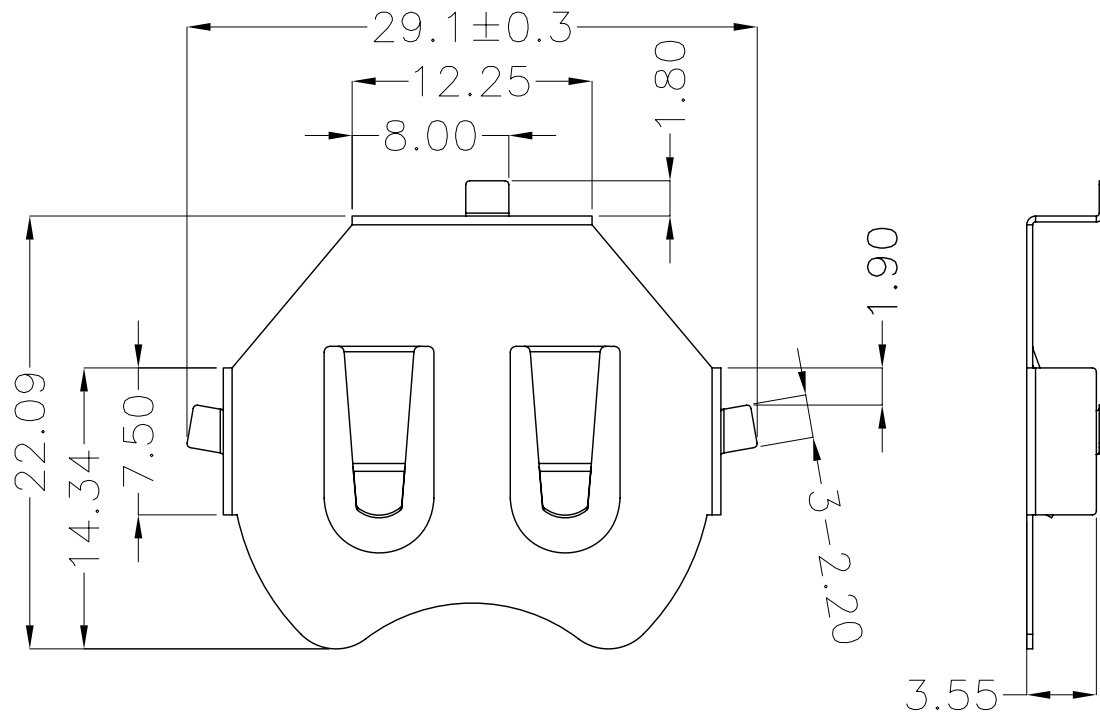
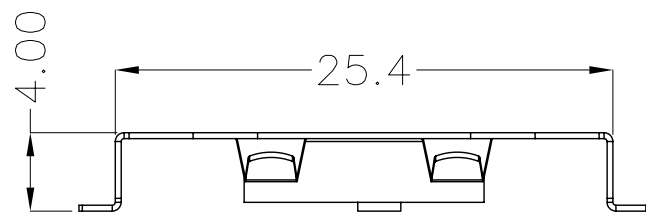




REV.	ECN NO.	REVISED	DATE



PCB Layout Diagram
Top View



工程部
2017-07-19
ZW DANG

UNLESS OTHERWISE SPECIFIED TOLERANCES							
DECIMALS:	ANGLES:	DSND	YangFeng	DATE	2017-07-19	TITLE:	
X :±0.30	X :±1°	CHKD	ZhouRuicai	DATE	2017-07-19	电池扣CR2430-J	
X.X :±0.25	X.X :±0.5°	APVD	XueShunyong	DATE	2017-07-19	PART NO.:	
X.XX :±0.20		WEIGHT:	1.3g	SCALE:	2.5:1	SIZE:	A4
X.XXX :±0.10		SHEET	1 OF 1	UNIT:	mm	REV.:	A/0
				VIEW:	⊙ ↺	OBJECT:	MY
							DRAW NO.:
							MY-CP-0099

1	TERMINAL(+)	1	PHOSPHOR BRONZE, T=0.30mm	Ni-Plating
NO.	PART NAME	Q'TY	MATERIAL	PLATING & COLOR